

12x Analog 960H PTZ

SPSD-A1204NC



Weather Proof - IP67

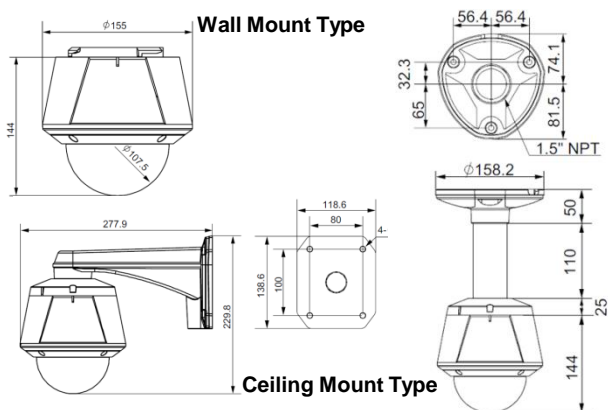
Key Features

- 1/4" SONY 960H Super HAD II Double scan CCD
- x384 Zoom (Optical x12 / Digital x32)
 - f = 3.8mm ~ 45.6mm / F1.6(wide) ~ F2.7(tele)
- 700TVL resolution
- Superior camera functions
 - Day & Night(ICR)
 - Wide Dynamic Range (512x)
 - Digital Noise Reduction (2D + 3D)
 - Digital Image stabilization
- Fast & Silent motion
- No accumulate error with preset function(127 presets)
- Max 360°/sec P/T speed and 0.05°/sec manual speed
- 4 patterns , 8 swings and 8 Groups
- Weatherproof : IP67
- True Day & Night with ICR (IR Cut Filter)
- Power : DC 12V / 2.5A

Ordering Information

- SPSP-A1204NC: NTSC , Indoor / Outdoor
- SPSP-A1204PC: PAL , Indoor / Outdoor

Dimensions(mm)



Technical Specifications

Model	SPSD-A1204NC	SPSD-A1204PC
Signal Format	NTSC	PAL
Camera	Image Device	1/4" 960H Super HAD II CCD (Double scan)
	Effective Pixel	1028(H) x 508(V) / 520K 1028(H) x 596(V) / 610K
	H. Resolution	MIN. 700 TV Lines (Color) / MIN. 750 TV Lines (B/W)
	S/N Ratio	More than 50 dB (AGC Off)
	Zoom	Optical X12 and Digital X32
	Focal Length	F1.6(Wide) / F2.7(Tele), f=3.8 ~ 45.6mm
	MIN. Illuminance	Color 0.5 Lux / BW 0.2Lux Color DSS 0.001 Lux / B/W 0.0004 Lux
	Day & Night	Day / Night (IR Cut Filter) / Auto / Ext
	Focus	Auto / One push / Manual
	Exposure	Auto / Shutter PRI. / Iris PRI. / Manual
	Shutter Speed	1/60(50) ~ 1/10000 SEC. (x2 ~ x512 SENS-Up)
	AGC	Off / On (Max 30dB)
	White Balance	Auto / One push / Indoor / Outdoor / Manual
	WDR / BLC	On / Off
	Flickerless	Selectable
	DNR	Off / Manual / Auto
	Privacy Mark	Off / 16 Masks
	Motion Detection	Off / 3 Positions
	DIS	Off / On
	Other functions	HLC / Mirror / Freeze / Scene mode / HR / Mirror / Sharpness / Brightness /
Pan/Tilt	Range	Pan : 360°(Endless) / Tilt : 90°
	Pan/Tilt Speed	Preset : 360° / SEC.
		Manual : 0.05° ~ 360° / SEC. (Zoom Proportional)
		Swing : 1° ~ 180° / SEC.
	Preset	128 Presets with Labels / Independent Preset Parameter Setup
	Pattern	4 Patterns (Approximate 5 Minutes for Each Pattern)
	Swing	8 Swings
	Group	8 Groups (MAX. 20 Entries for Each Group)
Other Functions	Auto Flip, Auto Parking, Power-up Action & etc.	
General	Communication	RS-485
	Protocol	Pelco-D, Pelco-P Selectable
	OSD	English On / Off
	Dimension	Dome : ϕ 107.5 mm / ϕ 4.2"
		Housing : 155(ϕ) x 144(H) mm / 6.1" (ϕ) x 5.7" (H)
	Weight	Approximate 2.7 Kg / 5.9 lbs (With Bracket)
	Material	Dome : Poly Carbonate / Housing : Aluminum
	Fan & Heater	Built-in Fan : Always On Heater : On below Internal Temperature 10°C / 50°F
	Operating Temp.	-30°C ~ 50°C / -22°F ~ 122°F
	Power	DC 12V / 2.5A
Sensor In/Out	3 Inputs (Photo Coupler Type) / 1 Output (Relay Type)	

All specifications are subject to change without notice